

# 4K Ultra-HD Network IR PTZ Dome Camera

IPC6858SR-X22



## Key Features

### Optics

- 22X Optical Zoom
- Fifth-generation infrared technology, more than 250m (820ft) IR distance
- IR anti-reflection window to increase the infrared transmittance
- Optical glass window with higher light transmittance
- Smart IR
- EIS (Electronic Image Stabilization)

### Compression

- 12 Megapixel image
- H.265, H.264, MJPEG
- Embedded smart algorithm
- Triple streams
- Customized OSD

### Network

- Network auto-adaptability
- ONVIF Conformance

## Structure

- Innovative snow-removing functionality
- Intelligent temperature control technology
- More effective heat dissipation system
- 6 KV surge protection designed for network interface

## Specifications

|                            |  |
|----------------------------|--|
| <b>Camera</b>              | <b>IPC6858SR-X22</b>   |
| Sensor                     | 1/1.7" progressive scan, 12 megapixel, CMOS  |
| Lens                       | 6.5~ 143 mm (22x optical zoom)   |
| Angle of View (H)          | 56.7° (wide) ~ 3.07° (tele)  |
| Iris                       | Auto/Manual, F1.5 ~ F3.4   |
| Shutter                    | Auto/Manual, shutter time: 1/6 s ~ 1/8000 s  |
| Minimum Illumination       | Colour: 0.06 lux (F1.5,AGC ON)<br>0 lux with IR  |
| S/N                        | >55 dB   |
| Day/Night                  | IR-cut filter with auto switch (ICR)   |
| <b>Video</b>               |  |
| Video Compression          | H.265, H.264, MJPEG  |
| Frame Rate                 | 12MP (4000×3000): Max. 20 fps; 4K (3840×2160): Max. 30 fps   |
| Video Streaming            | Triple   |
| OSD                        | Up to 8 OSDs   |
| Privacy Mask               | Up to 4 areas  |
| Digital Zoom               | Supported  |
| HLC                        | Supported  |
| EIS                        | Supported  |
| <b>Smart</b>               |  |
| Behavior Detection         | Intrusion, crossing line, motion detection   |
| Exception Detection        | Audio detection  |
| Intelligent Identification | Face detection   |
| Statistical Analysis       | People counting  |
| <b>Audio</b>               |  |
| Audio Compression          | G.711  |
| Two-way Audio              | Supported  |
| <b>Storage</b>             |  |
| Edge Storage               | Micro SD, up to 128 GB   |
| <b>Network</b>             |  |
| Protocols                  | L2TP, IPv4, IGMP, ICMP, ARP, TCP, UDP, DHCP, PPPoE, RTP, RTSP, RTCP, DNS, DDNS, NTP, FTP, UPnP, HTTP, HTTPS, SMTP, SIP, 802.1x |
| Compatible Integration     | ONVIF, API   |

**Pan & Tilt**

|                  |  |
|------------------|--|
| Pan Range        | 360°   |
| Pan Speed        | 0.1°/s ~ 240°/s                              |
|                  | Preset speed: 300°/s                         |
| Tilt Range       | -15° ~ +90° (auto reverse)                   |
| Tilt Speed       | 0.1° ~ 160°/s                                |
|                  | Preset speed: 240°/s                         |
| Number of Preset | 256  |
| Patrol           | Preset patrol, route patrol, recorded patrol |
| Home Position    | Supported                                    |

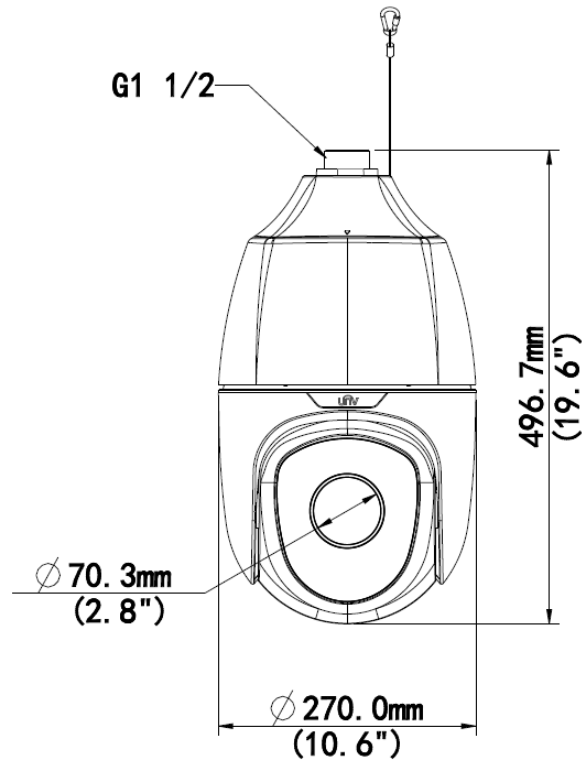
**Interface**

|              |  |
|--------------|--|
| Audio I/O    | Audio cable  |
|              | 1 Input: impedance 35 k $\Omega$ ; amplitude 2 V [p-p] |
|              | 1 Output: impedance 600 $\Omega$ ; amplitude 2 V [p-p] |
| Alarm I/O    | 2 / 1  |
| Serial Port  | 1 RS485  |
| Network      | 1 RJ45 10M/100M Base-TX Ethernet                       |
| Video Output | 1 BNC, impedance 75 $\Omega$ ; amplitude 1 V [p-p]     |

**General**

|                          |   |
|--------------------------|---|
| Power                    | 24 V AC $\pm$ 25% (Default), 24 V DC $\pm$ 25%                        |
|                          | Power consumption: 16 W ~ 56 W  |
| Dimensions ( $\Phi$ x H) | $\Phi$ 270mm $\times$ 496.7mm( $\Phi$ 10.6" x 19.6")                  |
| Weight                   | 9.69kg(21.4lb)  |
| Working Environment      | -45°C ~ +70°C (-49°F ~ 158°F), Humidity $\leq$ 95% RH(non-condensing) |
| Ingress Protection       | IP66  |

## Dimensions



## Accessories

| Installation mode   | Accessories   | Description  |
|---------------------|---|--|
| Pendant mount       | TR-CE45-IN bracket  | /  |
|                     | Pendant components:<br>TR-UF45-A-IN ceiling plate<br>TR-SE45-IN pendant rod (200mm)<br>TR-SE45-A-IN pendant rod (500mm) | Ceiling plate is optional with different pendant rod for various applications                  |
| Standing pole mount | Customized bracket  | The interface is designed with internal G1½ screws.<br>The screw depth must be more than 23 mm |
| Wall mount          | TR-WE45-IN bracket  | /  |
| Corner mount        | TR-WE45-IN bracket + TR-UC08-A-IN bracket   | /  |
| Pole mount          | TR-WE45-IN bracket + TR-UP08-A-IN bracket   | /  |

### Zhejiang Uniview Technologies Co., Ltd.

South Tower, Building 10, Wanlun Science Park, 88 Jiangling Road, Hangzhou, P.R.China 310051

Email: [overseasbusiness@uniview.com](mailto:overseasbusiness@uniview.com); [globalsupport@uniview.com](mailto:globalsupport@uniview.com)

<http://www.uniview.com>

©2016 Zhejiang Uniview Technologies Co., Ltd. All rights reserved.

\*Product specifications and availability are subject to change without notice.